

PIPE CUBE



INDEX

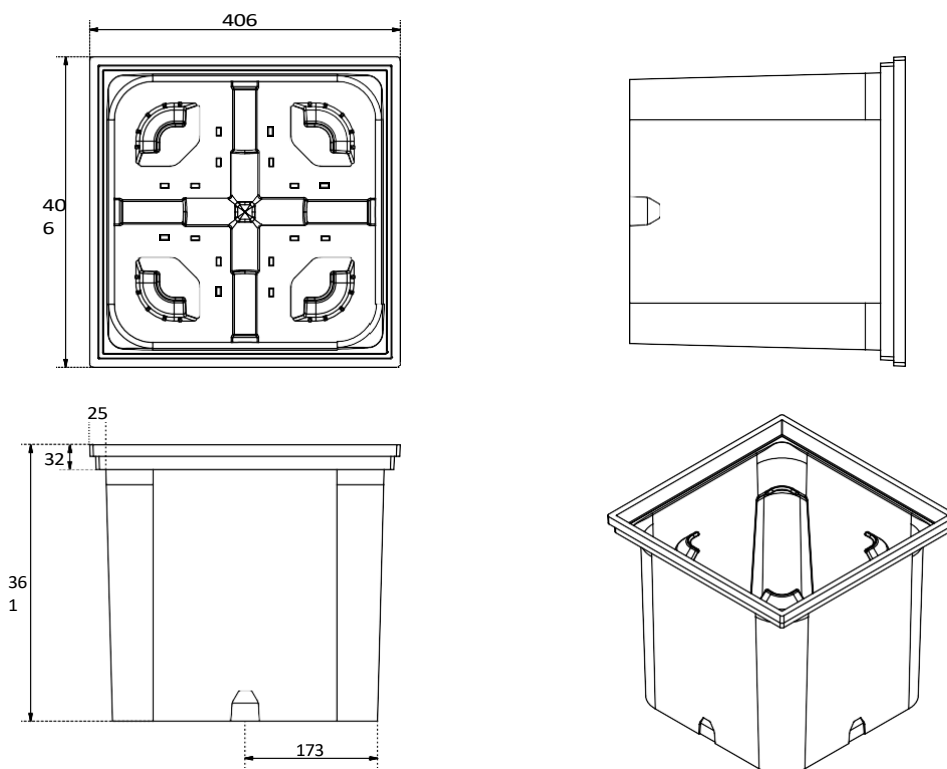
1. Data and Documentation
2. Use
3. Specifications

1. DATA AND DOCUMENTATION

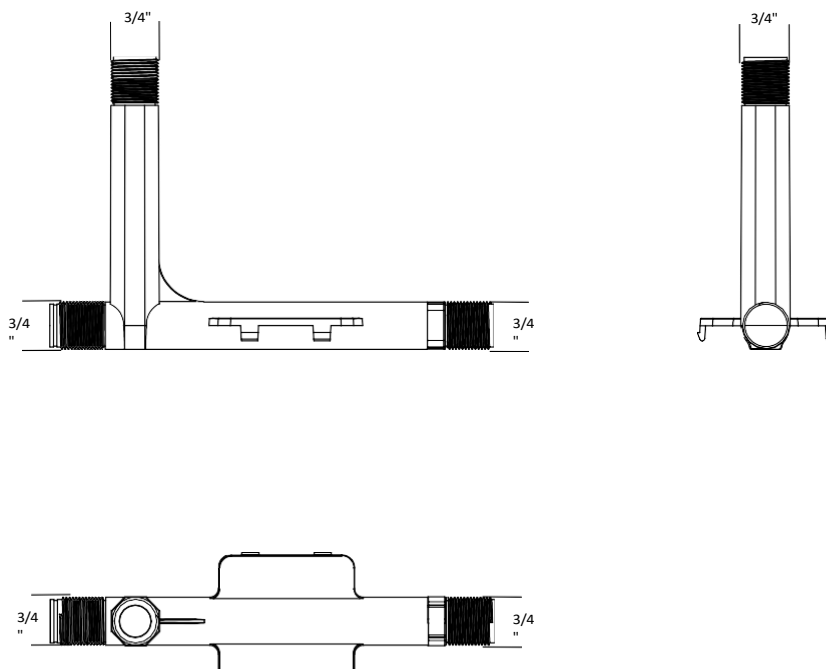
Code	Description	Dimensions (mm)	Weight	Pkg. / Pallet
POZ01-1374AT	Recessed sump Irrigation System	400 x 400 x 360	4.00 kg/pc.	1 pc. / 36 pcs.

MATERIAL

Made of PE-HD (high density polyethylene) and PP (polypropylene).



PIPE CUBE



2. USE

Recessed into the ground, it accommodates the system used to irrigate the garden without the need for baskets and hoses.



3. SPECIFICATION ITEMS

Entry	Description	Unit	Price
Dak.O.POZ01.1374AT	Supply and installation of PIPE CUBE garden gully, colour green and PP lid with handle. Dimensions 400 x 400 x 360 mm, with integrated removable irrigation system. Internal hose rewinding facility. Made of PE-HD (high density polyethylene) and PP (polypropylene). Recessed into the ground, it accommodates the system used to irrigate the garden without the need for baskets and hoses. Dimensions 400 x 400 x 360 mm.....	pc.	-