

FOLDING STEEL LADDER



INDEX

1. Data and Documentation
2. Use
3. Description
4. Assembly guide
5. Specifications

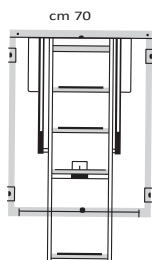
1. DATA AND DOCUMENTATION

Code	Description	Dimensions (mm)	Weight	Pkg. / Pallet
SCA05-855	4-Piece Steel Ladder	700 x 900 x 2,800	40 kg/pc.	1 pc. / 4 pcs.
SCA05-856	4-Piece Steel Ladder	700 x 1,000 x 3,000	40 kg/pc.	1 pc. / 4 pcs.
SCA05-857	3-Piece Steel Ladder	700 x 1,200 x 3,000	40 kg/pc.	1 pc. / 4 pcs.
SCA05-858	3-Piece Steel Ladder	700 x 1,300 x 3,000	40 kg/pc.	1 pc. / 4 pcs.
SCA05-855/X	3/4 Piece Steel Ladder	custom-made	40 kg/pc.	1 pc. / - pcs.

MATERIAL

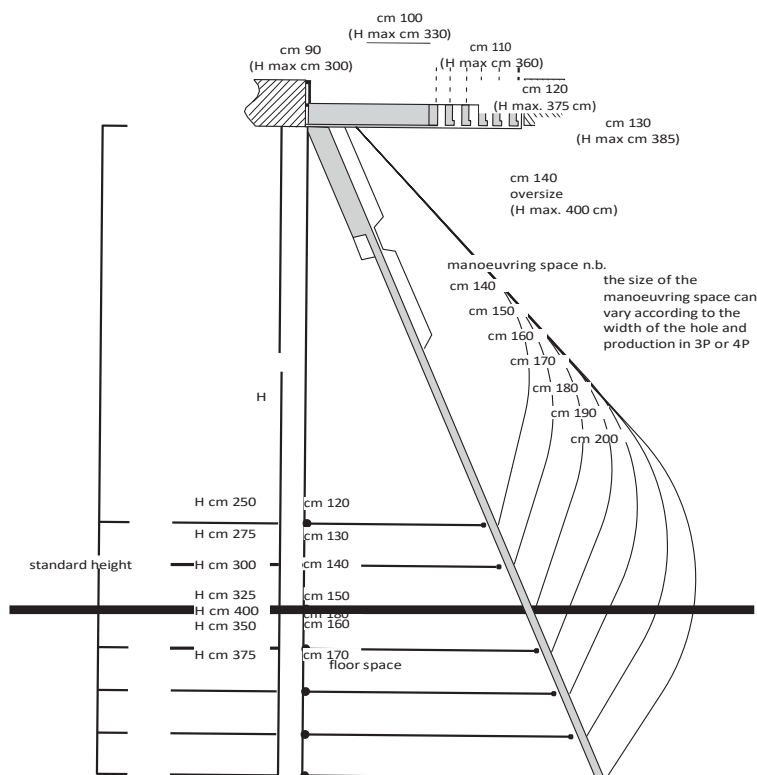
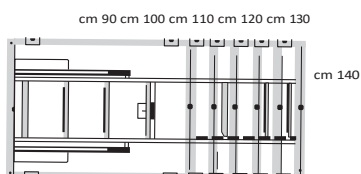
Made of powder-coated galvanised steel.

ladder hole width standard measurements



cm 37 useful step width

ladder bore length standard measurements



FOLDING STEEL LADDER

2. DESCRIPTION

Staircase package consisting of tubular elements and tread made of pressed sheet metal with anti-slip texture, galvanised and powder-coated. Step length 370 mm. Ladder capacity 250 kg.

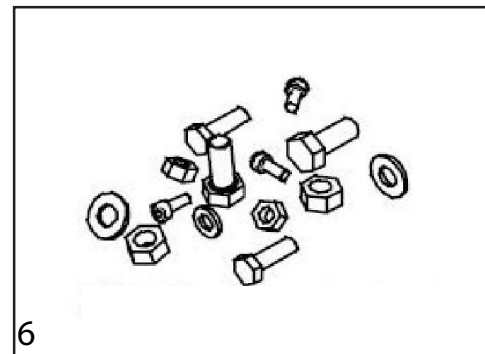
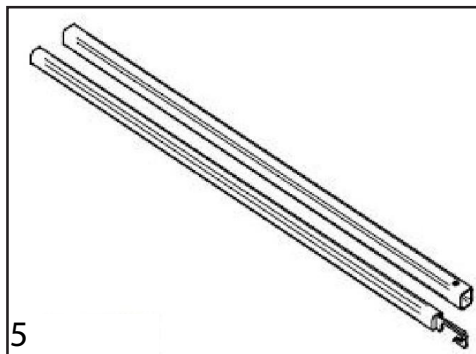
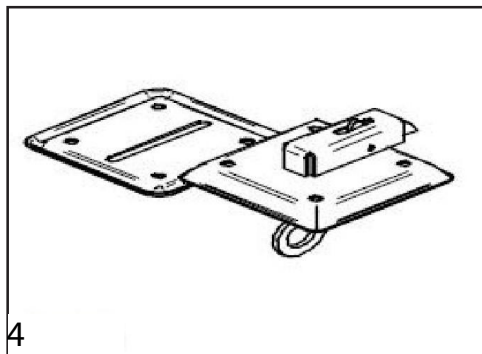
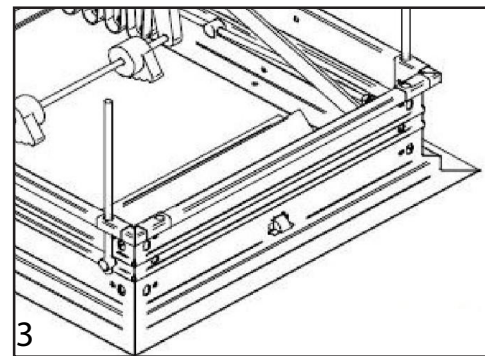
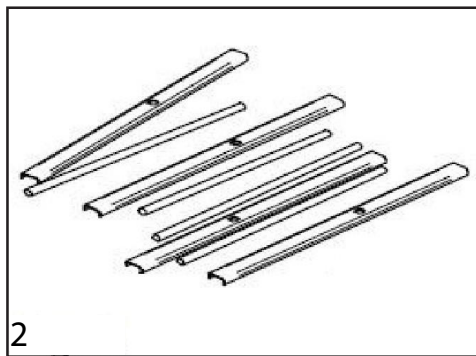
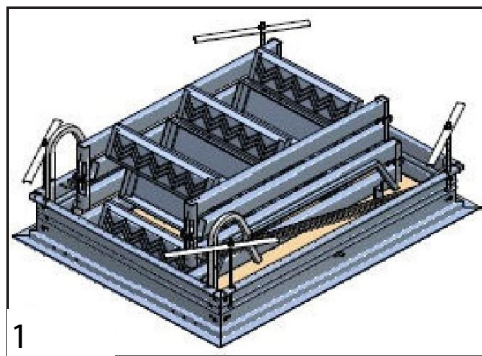
3. USE

Usually used inside dwellings to reach floors without the encumbrance of a fixed ladder. The 'knee' folding system to make it disappear into the ceiling makes it suitable for tight spaces.

4. ASSEMBLY GUIDE

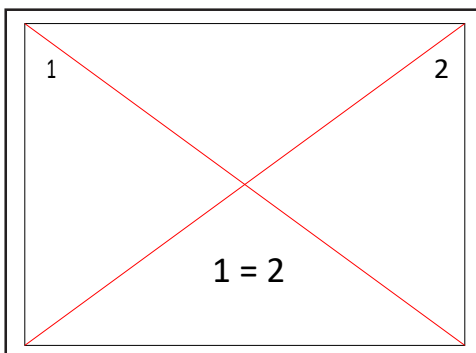
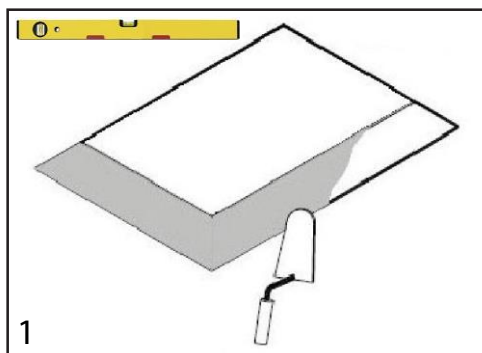
The assembly kit consists of:

1. Retractable ladder
2. 4 threaded anchor rods
3. 4 brackets
4. Ratchet lock
5. Ladder opener
6. Screws included



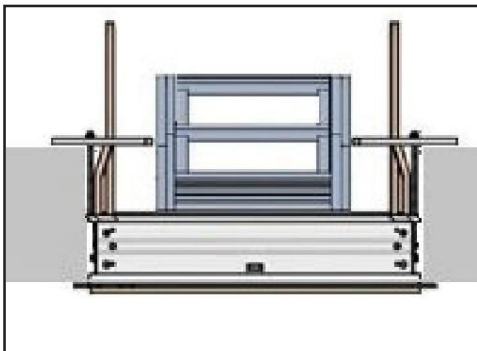
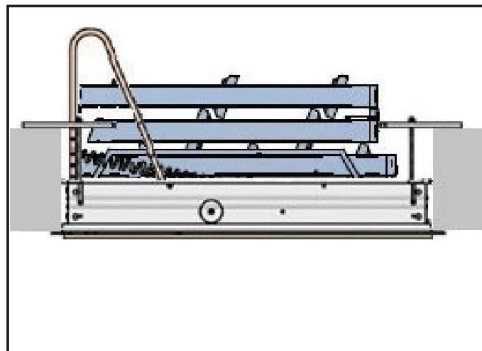
Housing preparation

1. Prepare finished hole A x B plastered and edged
2. ensure that it is level and that the diagonals match

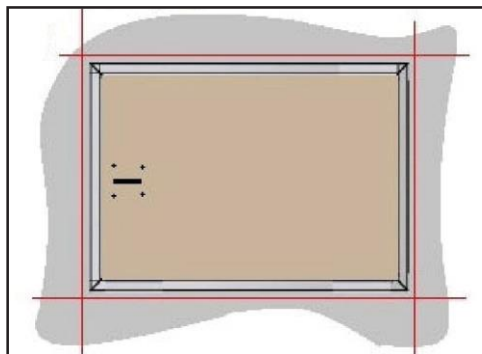


FOLDING STEEL LADDER

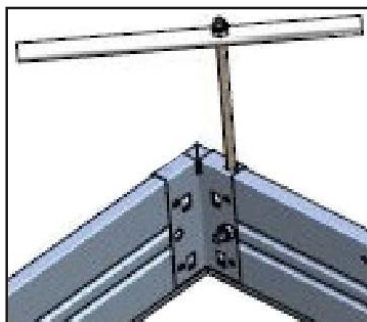
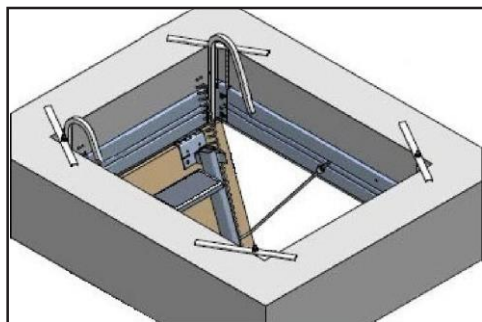
1. Insert the staircase box into the hole



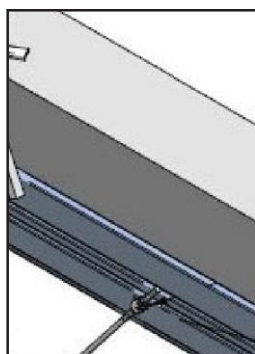
2. Leave a minimum of 5 cm free in the case of a flush wall, so that the staircase casing can be tapped.



3. Attach the 4 brackets to the threaded anchor rods and tighten the appropriate nuts



4. Forbidden to wall



FOLDING STEEL LADDER

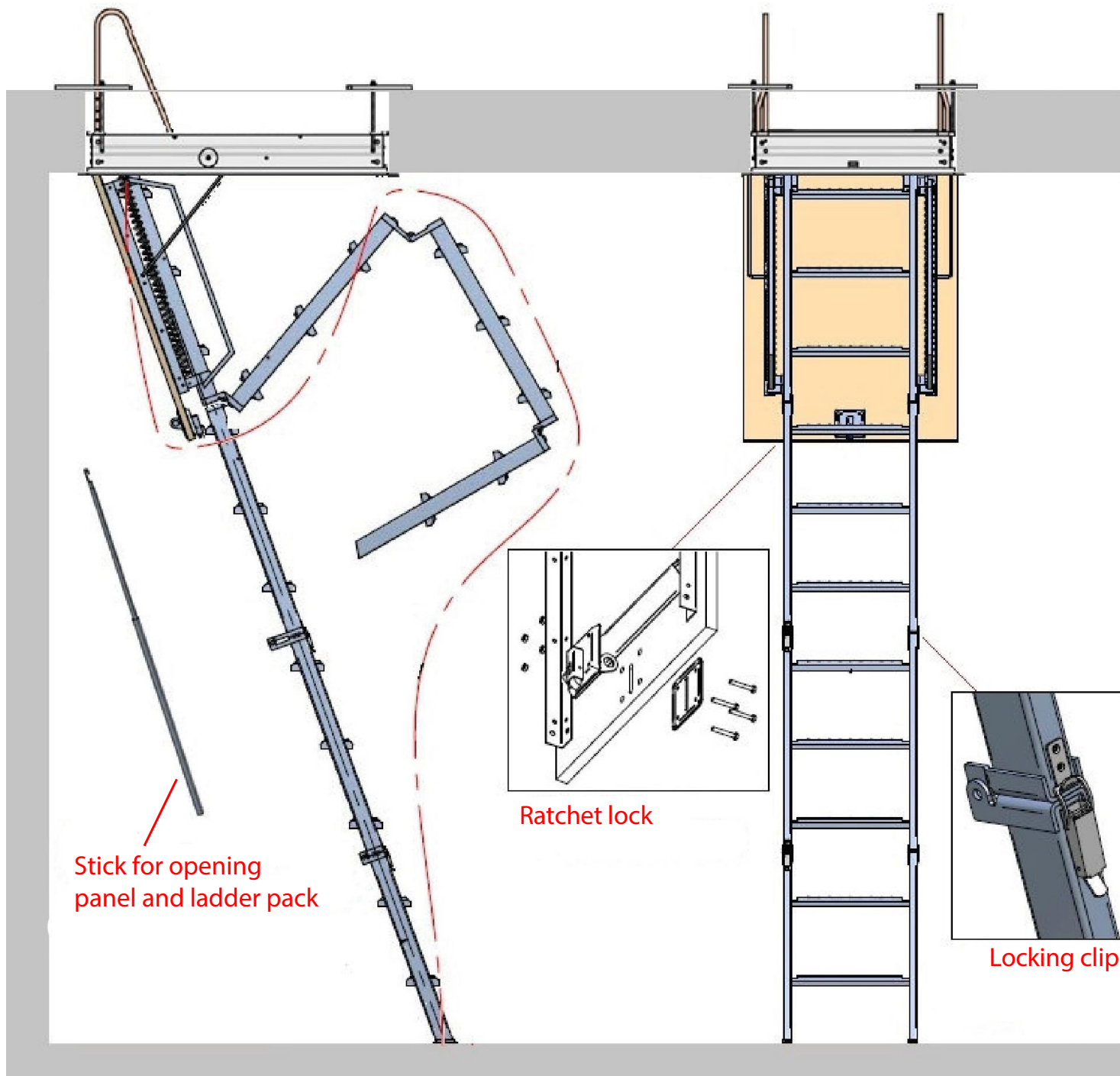
After positioning and securing the ladder, fit the ratchet lock with the appropriate screws. Ready-to-use ladder that can be manoeuvred manually with the special opening stick.

Hook the lock ring with the hook of the stick and open the panel, which will descend accompanied by the springs.

Once the panel is open, using the same stick, grasp the ladder package and pull it towards you, dropping it to the ground. Hook and stiffen the folding pieces of the ladder with the clip provided.

To close the ladder, do the reverse operation, push the ladder pack into the panel until it is packed and firm, then push the panel down until it is fully sealed until it is locked.

Lubricate only with grease if necessary at points of possible friction such as joints.



FOLDING STEEL LADDER

4. SPECIFICATION ITEMS

Entry	Description	Unit	Price
Dak.I.SCA05.85x	Supply and installation of staircase pack consisting of tubular elements and tread made of pressed sheet metal with anti-slip texture, galvanised and powder-coated. Step width 370 mm. Capacity 250 kg. Individually packaged, with lock and stick. Available in floor opening dimensions 700 x 900 x 2,800, 700 x 1,000 x 3,000, 700 x 1,100 x 3,000, 700 x 1,200 x 3,000 mm. Made of powder-coated galvanised steel. Usually used inside dwellings to reach floors without the encumbrance of a fixed ladder. The 'knee' folding system to make it disappear into so f t makes it suitable for tight spaces.		
Dak.I.SCA05.855	Dimensions 700 x 900 x 2,800 mm.....	pc.	-
Dak.I.SCA05.856	Dimensions 700 x 1,000 x 3,000 mm.....	pc.	-
Dak.I.SCA05.857	Dimensions 700 x 1,200 x 3,000 mm.....	pc.	-
Dak.I.SCA05.858	Dimensions 700 x 1,300 x 3,000 mm.....	pc.	-
Dak.I.SCA05.855/X	Customised on request.....	pc.	-