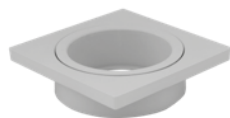


DOWNPIPE



INDEX

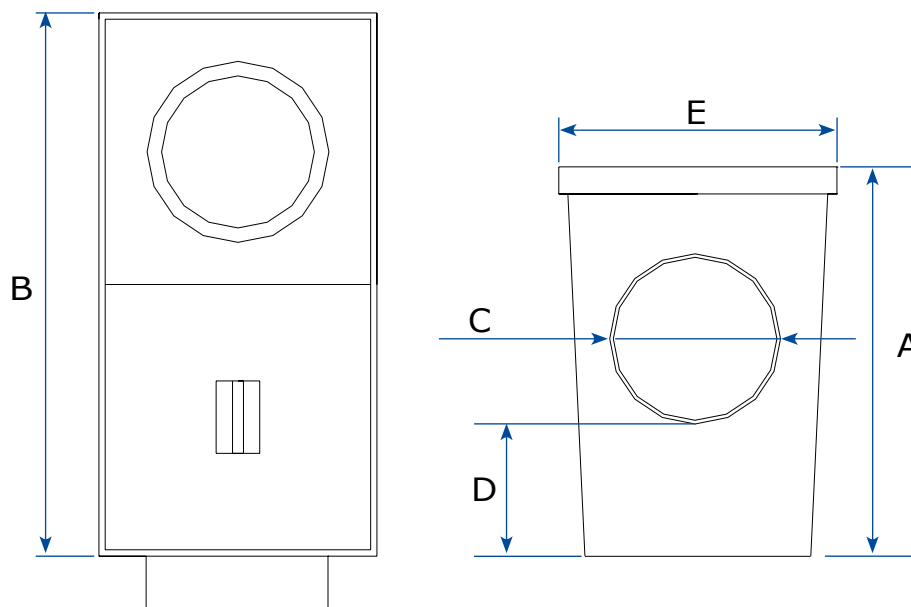
1. Data and Documentation
2. Use
3. Specifications

1. DATA AND DOCUMENTATION

Code	Description	Dimensions (mm)	Weight	Colour	Pkg. / Pallet
TER06-1385	Siphoned rainwater sump	235 x 125 x 220	1.100 kg/pc.	Grey	18 pcs. / 216 pcs.
TER06-1385N	Black siphoned rainwater sump	235 x 125 x 220	1.100 kg/pc.	Black	18 pcs. / 216 pcs.
TER06-1390	Round connector	Ø 80-100	0.132 kg/pc.	Grey	50 pcs. / - pcs.
TER06-1390S	Export round connector	Ø 90-110	0.114 kg/pc.	Grey	50 pcs. / - pcs.
TER06-1391	Square connector	∓ 80-100	0.132 kg/pc.	Grey	50 pcs. / - pcs.

MATERIAL

Made of PP (polypropylene).



	A	B	C	D	E	
TER06-1385	212	260	100	80	134	mm
TER06-1385N	212	260	100	80	134	mm

DOWNPIPE

2. USE

Used as an element for collecting rainwater from eaves downpipes in order to dispose of it via the ground water network.

3. SPECIFICATION ITEMS

Entry	Description	U.M.	Price
Dak.D.TER06.1385x	Supply and installation of rainwater gully is a horizontal drainage and collection device for the disposal of water from eaves downpipes/downpipes. The bulkhead with which it is equipped allows perfect siphoning, preventing the return of unpleasant odours as well as being easily removable for inspection and/or cleaning. Made of PP (polypropylene). Used as an element for collecting rainwater from eaves downpipes in order to dispose of it via the ground water network. Dimensions 235 x 125 x 220 mm.....		
Dak.D.TER06.1385	Grey.....	pc.	-
Dak.D.TER06.1385N	Black.....	pc.	-