

WINDOW PROFILE WITH NET PLUS



INDEX

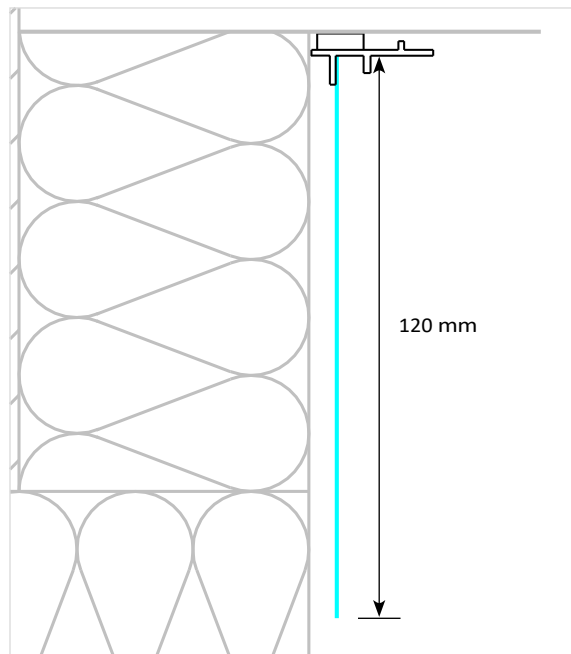
1. Data and Documentation
2. Use
3. Specifications

1. DATA AND DOCUMENTATION

Code	Description	Dimensions (mm)	Weight	Colour	Pkg. / Pallet
ZIN33-1691	Window Profile Plus	120 x 2.400	8.00 kg/cf	White	72 m / 36 cf.

MATERIAL

Made of PVC and fibreglass mesh.



WINDOW PROFILE WITH MESH

Features	Units of Measurement	R131	
		Warp	Plot
Setting	for 10 cm	25 x 2	20,5
Standard Height	cm	110	
Roll length	m	50	
Thickness Treated Fabric	mm	0,52	
Raw Fabric Weight	g/m2	131	
Thickness Treated Fabric	min g/m2	160 ± 5% (max 168 g - min 152 g)	
Fuel Content (LOI)	% of mass	20%	
Treatment Type		Alkali-resistant without emollients	
Dimensions Wheelbase	mm	3,5 x 3,8	

Tensile strength (TS) and elongation:

Minimum tensile strength (N/50 mm) and maximum elongation (%) is ascertained according to DIN EN ISO 13934-1 as follows

Deposition method	Traction resistance		Elongation
	Nominal Value	Individual Value	Average Value
Standard Conditions	2000 / 2200	1900 / 1900	3,8 / 3,8
Solution 5% NaOH	1140 / 1300	1200 / 1200	3,5 / 3,5
Quick Test	1500 / 1700	1250 / 1250	3,5 / 3,5
Solution 3 iont		1000 / 1000 50 % / 50 %	

Tolerances:

Setting: ± 5% in Warp and Weft
 Height: ± 1%
 Length: ± 2%
 LOI: ± 3%

Quality Inspection

The mode of quality control, taking samples and shooting the material, is according to standard 0326 works. **Packing:**

The rolls are packed vertically in cardboard boxes on a pallet. **Warehouse:**

Rolls must be stored in a dry place. Storage temperature -10 °C to + 50 °C.

2. USE

Used on the window frame as a tight fitting on the plaster sash. It is equipped with a removable adhesive protective flap that allows the glass to be protected during smoothing.

3. SPECIFICATION ITEMS

Entry	Description	U.M.	Price
Dak.B.ZIN33.1691	Supply and installation of Profile with self-adhesive PE tape and glass fibre mesh, standard or R131, heat-sealed. Made of PVC and glass fibre mesh. Used on the window frame as a tight fitting on the plaster sash. It is equipped with a removable adhesive protective flap to protect the glass during shaving. Dimensions 120 x 2,400 mm.....	cf.	-