

# 3D-TELESCOPIC SUPPORTS - SELF-LEVELING HEAD



## INDEX

1. Code Registry
2. Use
3. Loaded Test
4. Technical Specification

## 1. CODE REGISTRY

Code	Product	Lenght [mm]	Pack	Pallet	Weight (Kg)
TER09-1123055N1	Self-Leveling 3D Scopic tile support provided with 4 wings for 2 mm slats	from 35 to 55	40 pcs.	20 boxes	10 kg/box.
TER09-1123070N1	Self-Leveling 3D Scopic tile support provided with 4 wings for 2 mm slats	from 55 to 70	40 pcs.	20 boxes	10 kg/box.
TER09-1123110N1	Self-Leveling 3D Scopic tile support provided with 4 wings for 2 mm slats	from 70 to 110	40 pcs.	15 boxes	16 kg/box.
TER09-1123150N1	Self-Leveling 3D Scopic tile support provided with 4 wings for 2 mm slats	from 110 to 150	40 pcs.	15 boxes	18 kg/box.
TER09-1123170N1	Self-Leveling 3D Scopic tile support provided with 4 wings for 2 mm slats	from 150 to 170	40 pcs.	15 boxes	23 kg/box.
TER09-1123200N1	Self-Leveling 3D Scopic tile support provided with 4 wings for 2 mm slats	from 170 to 200	40 pcs.	15 boxes	24 kg/box.
TER09-1123240N1	Self-Leveling 3D Scopic tile support provided with 4 wings for 2 mm slats	from 205 to 240	35 pcs.	15 boxes	24 kg/box.
TER09-1123275N1	Self-Leveling 3D Scopic tile support provided with 4 wings for 2 mm slats	from 240 to 275	30 pcs.	15 boxes	24 kg/box.
TER09-1123310N1	Self-Leveling 3D Scopic tile support provided with 4 wings for 2 mm slats	from 275 to 310	20 pcs.	15 boxes	24 kg/box.
TER09-1123340N1	Self-Leveling 3D Scopic tile support provided with 4 wings for 2 mm slats	from 310 to 340	20 pcs.	15 boxes	24 kg/box.
TER09-1123370N1	Self-Leveling 3D Scopic tile support provided with 4 wings for 2 mm slats	from 340 to 370	20 pcs.	15 boxes	24 kg/box.
TER09-1123400N1	Self-Leveling 3D Scopic tile support provided with 4 wings for 2 mm slats	from 370 to 400	20 pcs.	15 boxes	24 kg/box.
TER09-1123430N1	Self-Leveling 3D Scopic tile support provided with 4 wings for 2 mm slats	from 400 to 430	20 pcs.	15 boxes	24 kg/box.
TER09-1123465N1	Self-Leveling 3D Scopic tile support provided with 4 wings for 2 mm slats	from 430 to 465	20 pcs.	15 boxes	24 kg/box.
TER09-1123500N1	Self-Leveling 3D Scopic tile support provided with 4 wings for 2 mm slats	from 465 to 500	15 pcs.	15 boxes	24 kg/box.
TER09-1123055N2	Self-Leveling 3D Scopic tile support provided with 4 wings for 4 mm slats	from 35 to 55	40 pcs.	20 boxes	10 kg/box.
TER09-1123070N2	Self-Leveling 3D Scopic tile support provided with 4 wings for 4 mm slats	from 55 to 70	40 pcs.	20 boxes	10 kg/box.
TER09-1123110N2	Self-Leveling 3D Scopic tile support provided with 4 wings for 4 mm slats	from 70 to 110	40 pcs.	15 boxes	16 kg/box.
TER09-1123150N2	Self-Leveling 3D Scopic tile support provided with 4 wings for 4 mm slats	from 110 to 150	40 pcs.	15 boxes	18 kg/box.
TER09-1123170N2	Self-Leveling 3D Scopic tile support provided with 4 wings for 4 mm slats	from 150 to 170	40 pcs.	15 boxes	23 kg/box.
TER09-1123200N2	Self-Leveling 3D Scopic tile support provided with 4 wings for 4 mm slats	from 170 to 200	40 pcs.	15 boxes	24 kg/box.
TER09-1123240N2	Self-Leveling 3D Scopic tile support provided with 4 wings for 4 mm slats	from 205 to 240	35 pcs.	15 boxes	24 kg/box.
TER09-1123275N2	Self-Leveling 3D Scopic tile support provided with 4 wings for 4 mm slats	from 240 to 275	30 pcs.	15 boxes	24 kg/box.
TER09-1123310N2	Self-Leveling 3D Scopic tile support provided with 4 wings for 4 mm slats	from 275 to 310	20 pcs.	15 boxes	24 kg/box.
TER09-1123340N2	Self-Leveling 3D Scopic tile support provided with 4 wings for 4 mm slats	from 310 to 340	20 pcs.	15 boxes	24 kg/box.
TER09-1123370N2	Self-Leveling 3D Scopic tile support provided with 4 wings for 4 mm slats	from 340 to 370	20 pcs.	15 boxes	24 kg/box.
TER09-1123400N2	Self-Leveling 3D Scopic tile support provided with 4 wings for 4 mm slats	from 370 to 400	20 pcs.	15 boxes	24 kg/box.
TER09-1123430N2	Self-Leveling 3D Scopic tile support provided with 4 wings for 4 mm slats	from 400 to 430	20 pcs.	15 boxes	24 kg/box.
TER09-1123465N2	Self-Leveling 3D Scopic tile support provided with 4 wings for 4 mm slats	from 430 to 465	20 pcs.	15 boxes	24 kg/box.
TER09-1123500N2	Self-Leveling 3D Scopic tile support provided with 4 wings for 4 mm slats	from 465 to 500	15 pcs.	15 boxes	24 kg/box.

**MATERIAL** Made of PP (polypropylene).  
**COLOUR** Black

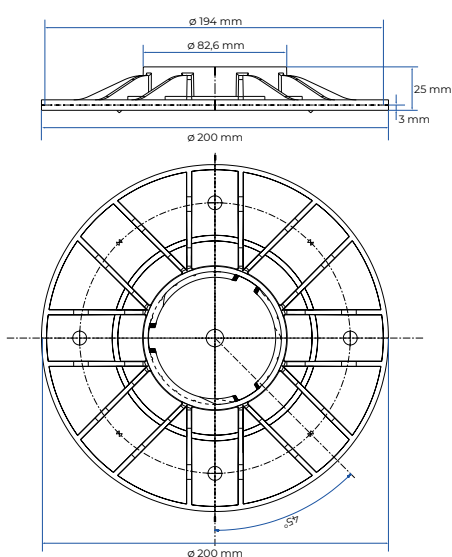
# 3D-TELESCOPIC SUPPORTS - SELF-LEVELING HEAD

## 2. USE

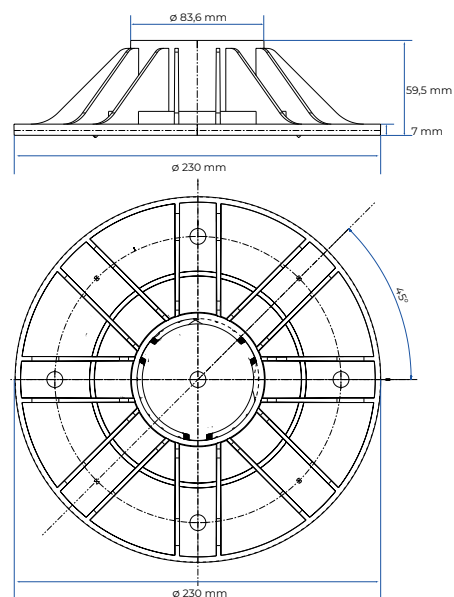
Used in external areas, terraces, pavements.



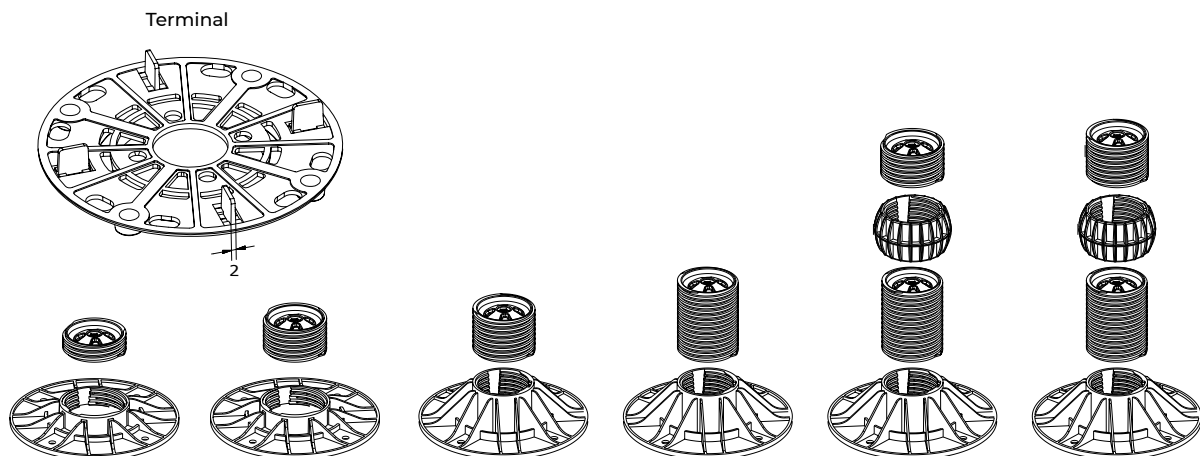
Low Base



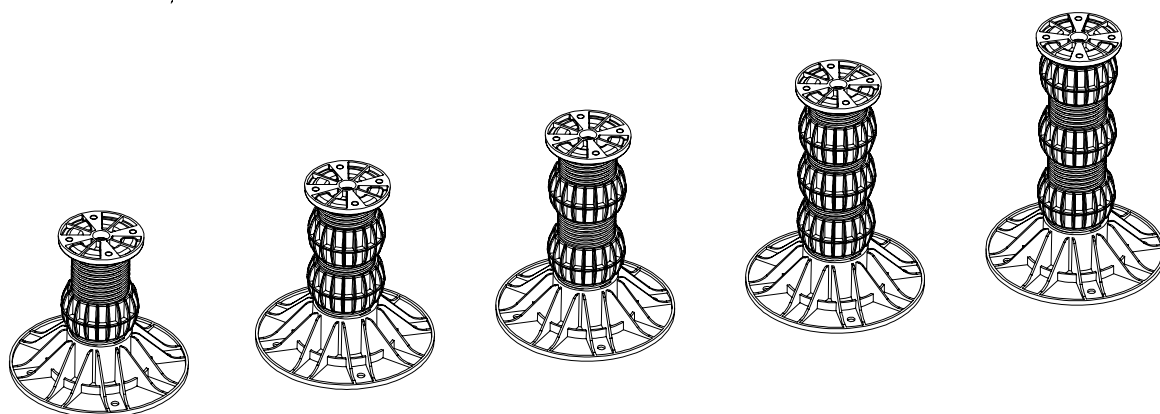
High Base



# 3D-TELESCOPIC SUPPORTS - SELF-LEVELING HEAD

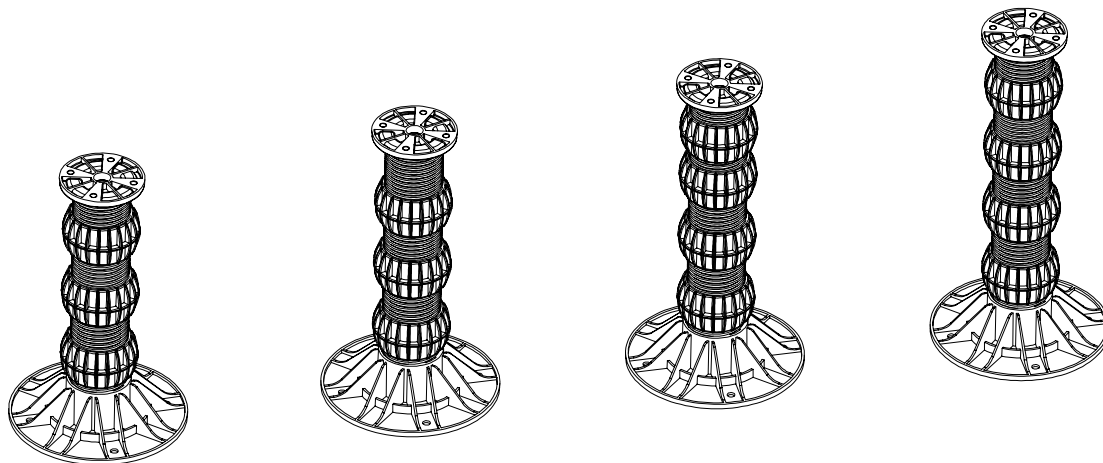


height adjustable	35 - 55	55 - 70	70 - 110	110 - 150	150 - 170	170 - 200
<b>BASE</b>	ø (mm)	200 x 25	200 x 25	230 x 60	230 x 60	230 x 60
	weight (gr.)	170	170	290	290	290
<b>SUPPORT 1</b>	h (mm)	22	42	56	96	96
	weight (gr.)	40	60	75	105	105
<b>RING</b>	h (mm)				56	56
	weight (gr.)				80	80
<b>SUPPORT 2</b>	h (mm)				42	56
	weight (gr.)				60	75



height adjustable	200 - 240	240 - 275	275 - 310	310 - 340	340 - 370
<b>BASE</b>	ø (mm)	230 x 60	230 x 60	230 x 60	230 x 60
	weight (gr.)	290	290	290	290
<b>SUPPORT 1</b>	h (mm)	96	96	96	96
	weight (gr.)	105	105	105	105
<b>RING</b>	h (mm)	56	56	56	56
	weight (gr.)	80	80	80	80
<b>SUPPORT 2</b>	h (mm)	96	72	96	96
	weight (gr.)	105	82	105	80
<b>RING</b>	h (mm)		56	56	56
	weight (gr.)		80	80	80
<b>SUPPORT 3</b>	h (mm)		56	72	96
	weight (gr.)		75	82	80
<b>RING</b>	h (mm)			56	56
	weight (gr.)			80	80
<b>SUPPORT 4</b>	h (mm)			56	42
	weight (gr.)			75	60

# 3D-TELESCOPIC SUPPORTS - SELF-LEVELING HEAD



height adjustable		370 - 400	400 - 430	430 - 465	465 - 500
BASE	ø (mm)	230 x 60	230 x 60	230 x 60	230 x 60
	weight (gr.)	170	170	290	290
SUPPORT 1	h (mm)	96	96	96	96
	weight (gr.)	105	105	105	105
SUPPORT 2	h (mm)	56	56	56	56
	weight (gr.)	80	80	80	80
SUPPORT 3	h (mm)	96	96	96	96
	weight (gr.)	105	105	105	105
RING	h (mm)	56	56	56	56
	weight (gr.)	80	80	80	80
SUPPORT 4	h (mm)	96	96	96	96
	weight (gr.)	80	80	80	80
SUPPORT 5	h (mm)	72	96	72	96
	weight (gr.)	82	80	82	80
RING	h (mm)			56	56
	weight (gr.)			80	80
RING	h (mm)			56	56
	weight (gr.)			80	80
RING	h (mm)			56	72
	weight (gr.)			75	82

## 3. LOADED TEST

Code	Maximum load at yield [N]	Maximum load at yield [kg]	Yield deformation [mm]
TER09-1123055N1/2	51.589	5.259	13,2
TER09-1123070N1/2	30.400	3.099	19,7
TER09-1123100N1/2	16.903	1.723	14,2
TER09-1123150N1/2	26.143	2.665	14,3
TER09-1123170N1/2	23.073	2.352	20,0
TER09-1123200N1/2	14.001	1.427	17,0

# 3D-TELESCOPIC SUPPORTS - SELF-LEVELING HEAD

## 3. TECHNICAL SPECIFICATION

Specification	Description	Unity	Price
<b>Dak.O.TER09.1123xxxN1</b>	Supply and intallation of 3D-scopic tiles support with adjustable height from min. 35 to max. 500 mm according to the model. Each box includes a Self-Leveling head equipped with 4 wings of 10 mm, to be used for slats of 2 or 4 mm. Terminal leveling variable inclination from 0 to 5%. Adjustment of the support of 1,5 mm for each rotation of 90° (equal to 5 shots). Made of PP (polypropylene). Used in external areas, terraces, pavements.		
<b>Dak.O.TER09.1123055N1</b>	Dimensions from 35 to 55 mm - wings for 2 mm slats.....	cf.	-
<b>Dak.O.TER09.1123070N1</b>	Dimensions from 55 to 70 mm - wings for 2 mm slats.....	cf.	-
<b>Dak.O.TER09.1123110N1</b>	Dimensions from 70 to 110 mm - wings for 2 mm slats.....	cf.	-
<b>Dak.O.TER09.1123150N1</b>	Dimensions from 110 to 150 mm - wings for 2 mm slats.....	cf.	-
<b>Dak.O.TER09.1123160N1</b>	Dimensions from 150 to 170 mm - wings for 2 mm slats.....	cf.	-
<b>Dak.O.TER09.1123200N1</b>	Dimensions from 170 to 200 mm - wings for 2 mm slats.....	cf.	-
<b>Dak.O.TER09.1123240N1</b>	Dimensions from 205 to 240 mm - wings for 2 mm slats.....	cf.	-
<b>Dak.O.TER09.1123275N1</b>	Dimensions from 240 to 275 mm - wings for 2 mm slats.....	cf.	-
<b>Dak.O.TER09.1123310N1</b>	Dimensions from 275 to 310 mm - wings for 2 mm slats.....	cf.	-
<b>Dak.O.TER09.1123340N1</b>	Dimensions from 310 to 340 mm - wings for 2 mm slats.....	cf.	-
<b>Dak.O.TER09.1123370N1</b>	Dimensions from 340 to 370 mm - wings for 2 mm slats.....	cf.	-
<b>Dak.O.TER09.1123400N1</b>	Dimensions from 370 to 400 mm - wings for 2 mm slats.....	cf.	-
<b>Dak.O.TER09.1123430N1</b>	Dimensions from 400 to 430 mm - wings for 2 mm slats.....	cf.	-
<b>Dak.O.TER09.1123465N1</b>	Dimensions from 430 a 465 mm - wings for 2 mm slats.....	cf.	-
<b>Dak.O.TER09.1123500N1</b>	Dimensions from 465 a 500 mm - wings for 2 mm slats.....	cf.	-
<b>Dak.O.TER09.1123055N2</b>	Dimensions from 35 to 55 mm - wings for 4 mm slats.....	cf.	-
<b>Dak.O.TER09.1123070N2</b>	Dimensions from 55 to 70 mm - wings for 4 mm slats.....	cf.	-
<b>Dak.O.TER09.1123110N2</b>	Dimensions from 70 to 110 mm - wings for 4 mm slats.....	cf.	-
<b>Dak.O.TER09.1123150N2</b>	Dimensions from 110 to 150 mm - wings for 4 mm slats.....	cf.	-
<b>Dak.O.TER09.1123160N2</b>	Dimensions from 150 to 170 mm - wings for 4 mm slats.....	cf.	-
<b>Dak.O.TER09.1123200N2</b>	Dimensions from 170 to 200 mm - wings for 4 mm slats.....	cf.	-
<b>Dak.O.TER09.1123240N2</b>	Dimensions from 205 to 240 mm - wings for 4 mm slats.....	cf.	-
<b>Dak.O.TER09.1123275N2</b>	Dimensions from 240 to 275 mm - wings for 4 mm slats.....	cf.	-
<b>Dak.O.TER09.1123310N2</b>	Dimensions from 275 to 310 mm - wings for 4 mm slats.....	cf.	-
<b>Dak.O.TER09.1123340N2</b>	Dimensions from 310 to 340 mm - wings for 4 mm slats.....	cf.	-
<b>Dak.O.TER09.1123370N2</b>	Dimensions from 340 to 370 mm - wings for 4 mm slats.....	cf.	-
<b>Dak.O.TER09.1123400N2</b>	Dimensions from 370 to 400 mm - wings for 4 mm slats.....	cf.	-
<b>Dak.O.TER09.1123430N2</b>	Dimensions from 400 to 430 mm - wings for 4 mm slats.....	cf.	-
<b>Dak.O.TER09.1123465N2</b>	Dimensions from 430 a 465 mm - wings for 4 mm slats.....	cf.	-
<b>Dak.O.TER09.1123500N2</b>	Dimensions from 465 a 500 mm - wings for 4 mm slats.....	cf.	-