

ADJUSTABLE SUPPORT FOR GROUND POST



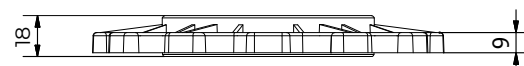
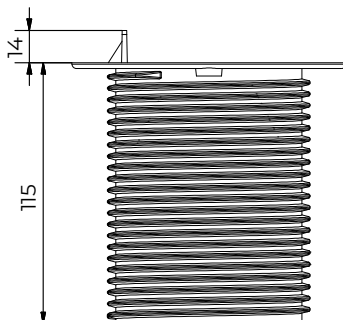
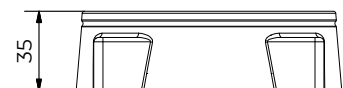
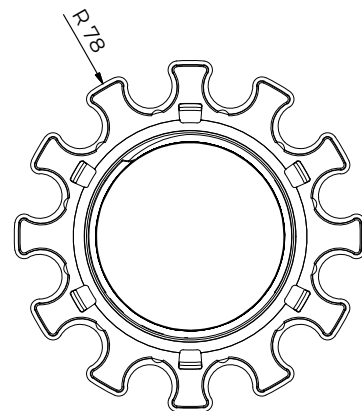
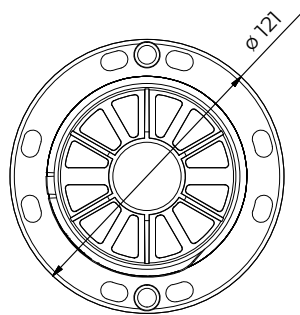
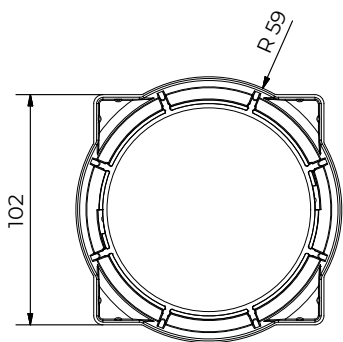
INDEX

1. Code Registry
2. Use
3. Technical Specification

1. CODE REGISTRY

Code	Description	Dimension (mm)	Weight	Pkg. / Pallet
TER09-1154	Adjustable support for ground post	from 25 to 115	- kg/cf.	- pcs. / - pcs.

MATERIAL Made of PP (polypropylene).



ADJUSTABLE SUPPORT FOR GROUND POST

2. USE

Support for ground post for the installation of a raised floor on a non-stabilized ground.

3. TECHNICAL SPECIFICATION

Specification	Description	Unity	Price
Dak.O.TER09.1154	Supply and installation of Adjustable support for ground post for the installation of a raised floor on a non-stabilized ground. The kit is composed of an adapter for post, rotating ring and an h. 115 height screw with head for joist. Made of PP (polypropylene). Support for ground post for the installation of a raised floor on a non-stabilized ground.	box	-