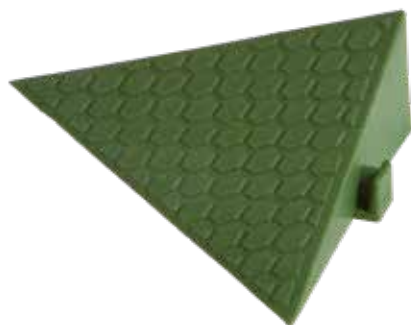


CORNER FOR TILE



INDEX

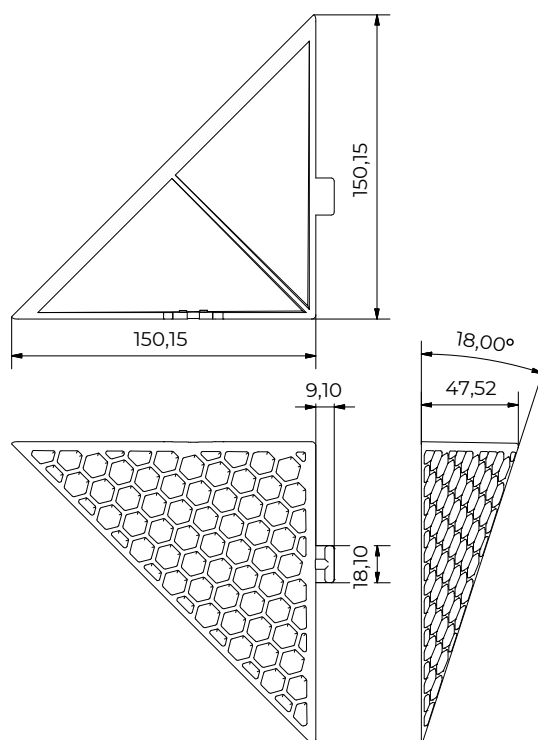
1. Code Registry
2. Use
3. Technical Specification

1. CODE REGISTRY

Code	Description	Dimension (mm)	Weight	Pkg. / Pallet
GAR01-0012V	Corner for green tile	150 x 150 - h. 50	0,065 kg/pc.	1 pc. / - pcs.
GAR01-0012R	Corner for red tile	150 x 150 - h. 50	0,065 kg/pc.	1 pc. / - pcs.
GAR01-0012G	Corner for grey tile	150 x 150 - h. 50	0,065 kg/pc.	1 pc. / - pcs.

MATERIAL

Made of PE-HD (high-density polyethylene) and PP (polypropylene).



CORNER FOR TILE

2. USE

Alternative uses for residential areas or garden intended for garden furniture and/or recreational activities and/or walkways.

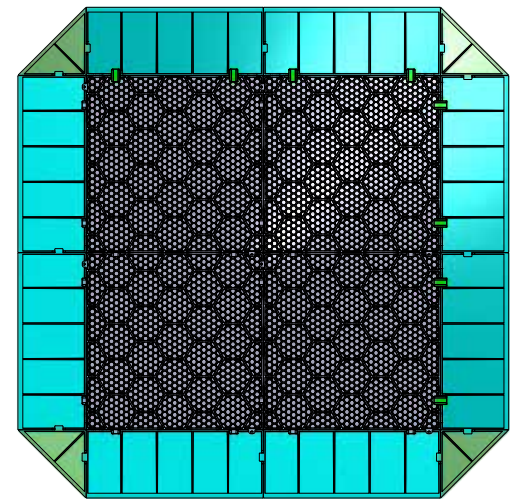
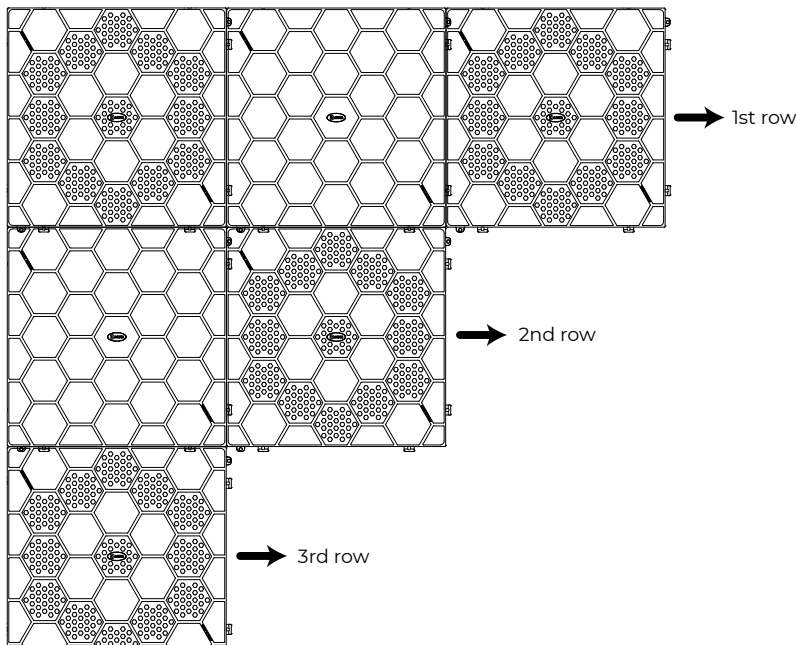
2. USE - INSTALLATION

On the ground:

The turf tiles must be placed in a row. You can place turfs of different finishing in the same row. We suggest you to lay an even base with no bumps or disconnections.

On the floor:

If you need to lay the turfs on a waterproof floor, it's enough to place the tiles on it. We suggest you to use the protective bars (our product code GAR01-0013).



3. TECHNICAL SPECIFICATION

Specification	Description	Unity	Price
Dak.O.GAR01.0012x	Supply and installation of corner for tile (Accessory for Tile). It consist in a modular interlocking element. Measures 150 x 150 x 50 mm. It can be matched with ramps for easy positioning and use. High flow rate > 45 kN/smq. Made of PE-HD (high-density polyethylene) and PP (polypropylene). Alternative uses for residential areas or garden intended for garden furniture and/or recreational activities and/or walkways.		
Dak.O.GAR01.0012V	Green.....	pc.	-
Dak.O.GAR01.0012R	Red.....	pc.	-
Dak.O.GAR01.0012G	Grey.....	pc.	-