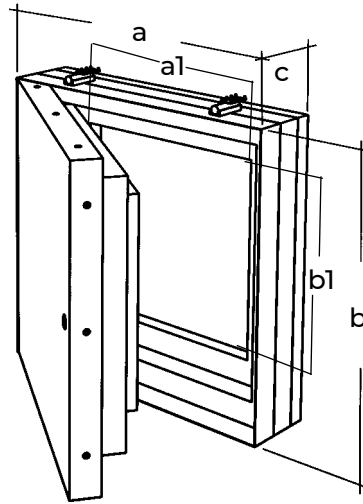


# ALUSPEED EI90 WITH HERMETIC INSPECTION DOOR



## INDEX

1. Code registry
2. Use
3. Technical specification

## 1. CODE REGISTRY

Code	Description	Dimensions (mm)	Dimensions clean (mm)	Thickness (mm)	Pkg. / Pallet	Weight
		axb	a1xb1	c		
GAN01-6580	AluSpeed EI90 for crawl spaces	300 x 300	200 x 200	66,5	1 pc. / 15 pcs.	7,60 Kg/pc.
GAN01-6582	AluSpeed EI90 for crawl spaces	400 x 400	300 x 300	66,5	1 pc. / 12 pcs.	12,30 Kg/pc.
GAN01-6584	AluSpeed EI90 for crawl spaces	500 x 500	400 x 400	66,5	1 pc. / 8 pcs.	18,00 Kg/pc.
GAN01-6586	AluSpeed EI90 for crawl spaces	600 x 600	500 x 500	66,5	1 pc. / 7 pcs.	24,60 Kg/pc.
GAN01-6587	AluSpeed EI90 for crawl spaces	600 x 800	500 x 700	66,5	1 pc. / 7 pcs.	31,80 Kg/pc.
GAN01-6588	AluSpeed EI90 for crawl spaces	600 x 1.000	500 x 900	66,5	1 pc. / 7 pcs.	38,50 Kg/pc.

### MATERIAL

Aluminum frame, intumescent door and fire resistant plasterboard panel.

### CERTIFICATION



## 2. USE

Used in self-contained dropped ceilings with fire protection EI90 (E = aptitude to block or produce flames, vapors or hot gases on the unexposed side; I = aptitude to reduce heat transmission.)

## 3. TECHNICAL SPECIFICATION

Specification	Description	Unity	Price
<b>Dak.B.GAN01.658x</b>	Supply and installation of 90 minute fire resistant inspection door (EI90). Smoke proof, surface without sight screws. Approved according to EN 1364-1e EN 1363-1. Closure with square key (double size 500 x 500 mm). Individually packed in boxes. Aluminum frame, intumescent door and fire resistant plasterboard panel. Used in crawl spaces and walls with fire protection EI90 (E = aptitude to block or produce flames, vapors or hot gases on the exposed side; I = aptitude to reduce heat transmission.)		
<b>Dak.B.GAN01.6580</b>	Dimensions 300 x 300 mm - EI90.....	pc.	-
<b>Dak.B.GAN01.6582</b>	Dimensions 400 x 400 mm - EI90.....	pc.	-
<b>Dak.B.GAN01.6584</b>	Dimensions 500 x 500 mm - EI90.....	pc.	-
<b>Dak.B.GAN01.6586</b>	Dimensions 600 x 600 mm - EI90.....	pc.	-
<b>Dak.B.GAN01.6587</b>	Dimensions 600 x 800 mm - EI90.....	pc.	-
<b>Dak.B.GAN01.6588</b>	Dimensions 600 x 1.000 mm - EI90.....	pc.	-