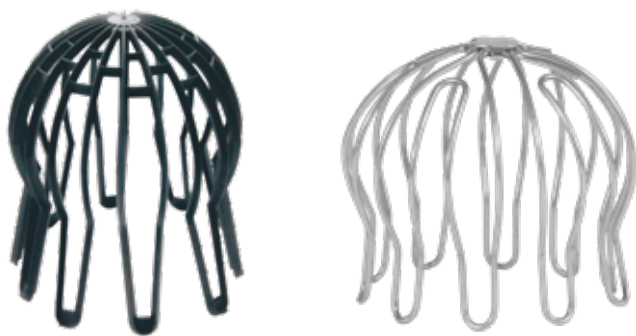


LEAF-GRATE



INDEX

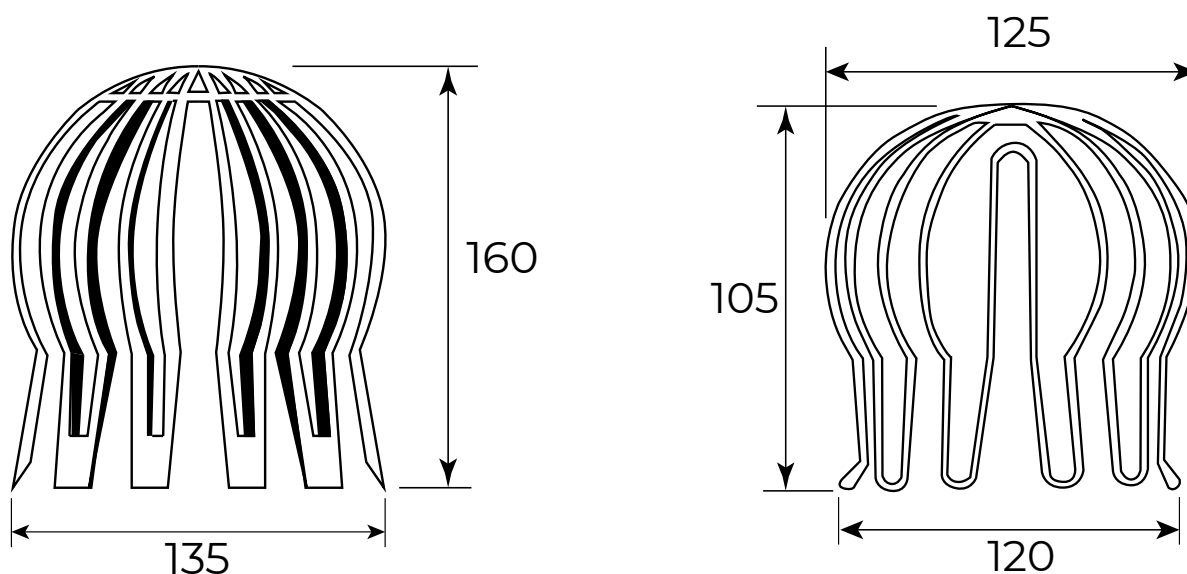
1. Code Registry
2. Use
3. Technical Specification

1. CODE REGISTRY

Code	Description	Dimension (mm)	Colour	Weight	Pkg. / Pallet
BOC10-1113	Plastic leaf-grate	from 80 to 125	Black	0,036 kg/pcs.	100 pcs. / 1.600 pcs.
BOC11-1114	Galvanized steel leaf-grate	from 80 to 125	Galvanized	0,170 kg/pcs.	20 pcs. / 1.440 pcs.

MATERIAL

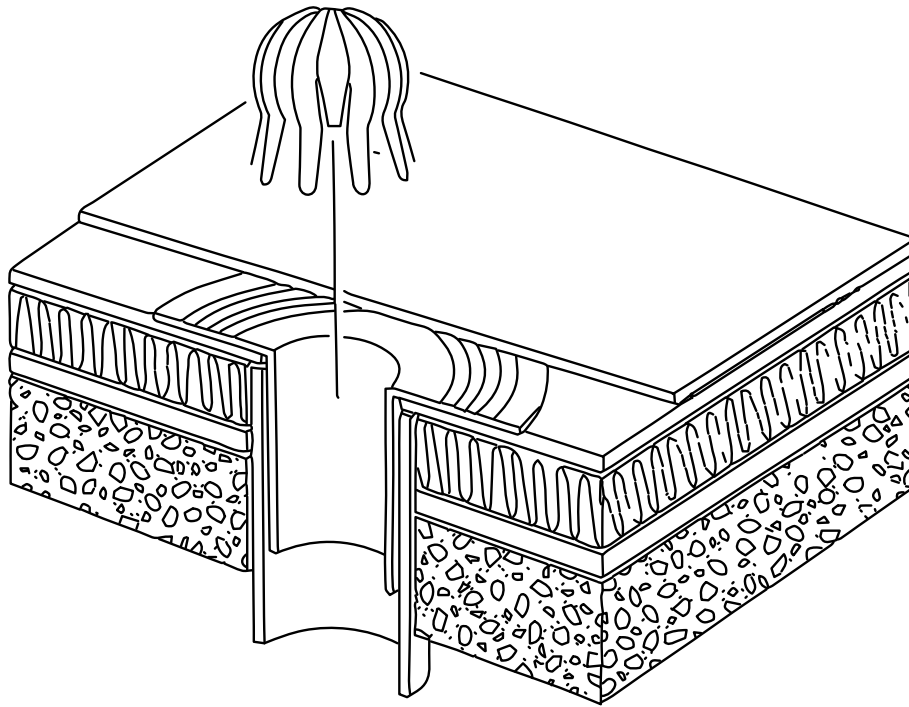
Made of PP (polypropylene) or galvanized steel.



LEAF-GRATE

2. USE

Used for vertical evacuation of rainwater in flat roofs.



3. TECHNICAL SPECIFICATION

Specification	Description	Unity	Price
Dak.O.BOC1x.111x	Supply and installation of Leaf-grate "universal" of variable diameter. Made of PP (polypropylene) or galvanized steel. Used to cover roof/terrace draining outlet or downpipes to avoid obstruction caused by leaves, debris or other small objects.		
Dak.O.BOC10.1113	Black plastic leaf-grate.....	pc.	-
Dak.O.BOC11.1114	Galvanized steel leaf-grate.....	pc.	-