

# OUTDOOR SPACER FOR TILES



## INDEX

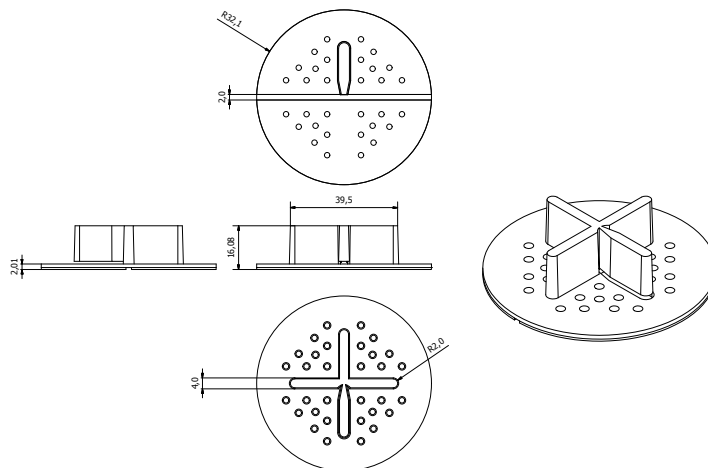
1. Code Registry
2. Use
3. Technical Specification

## 1. CODE REGISTRY

Code	Description	Dimension (mm)	Weight	Pkg. / Pallet
TER04-4300	Outdoor Spacer for Tiles - 100 pcs	thick. 4 - $\phi$ 32	2 gr/pcs	10 bag / 200 box

### MATERIAL

Made of Polystyrene crystal.



## 2. USE

Used as a spacer in the installation of outside tiles.

## 3. TECHNICAL SPECIFICATION

Specification	Description	Unity	Price
Dak.D. TER09-4300	X shape tile spacer for outdoor. Thickness 4 mm and diameter 32 mm, 100 pcs per bag. Made of Polystyrene crystal. Used as a spacer in the installation of outside tiles.	pcs	-