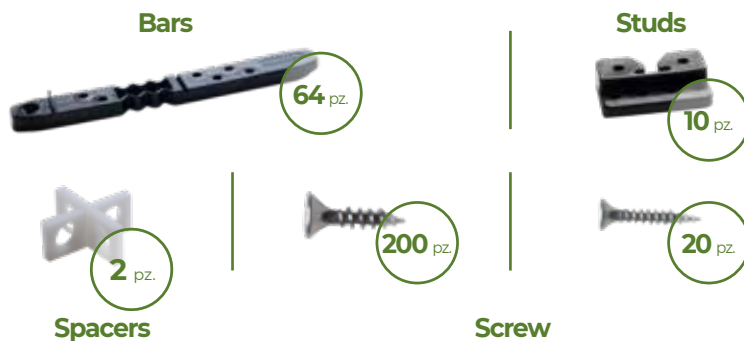


# QUIX - INVISIBLE FIXING FOR DECKING



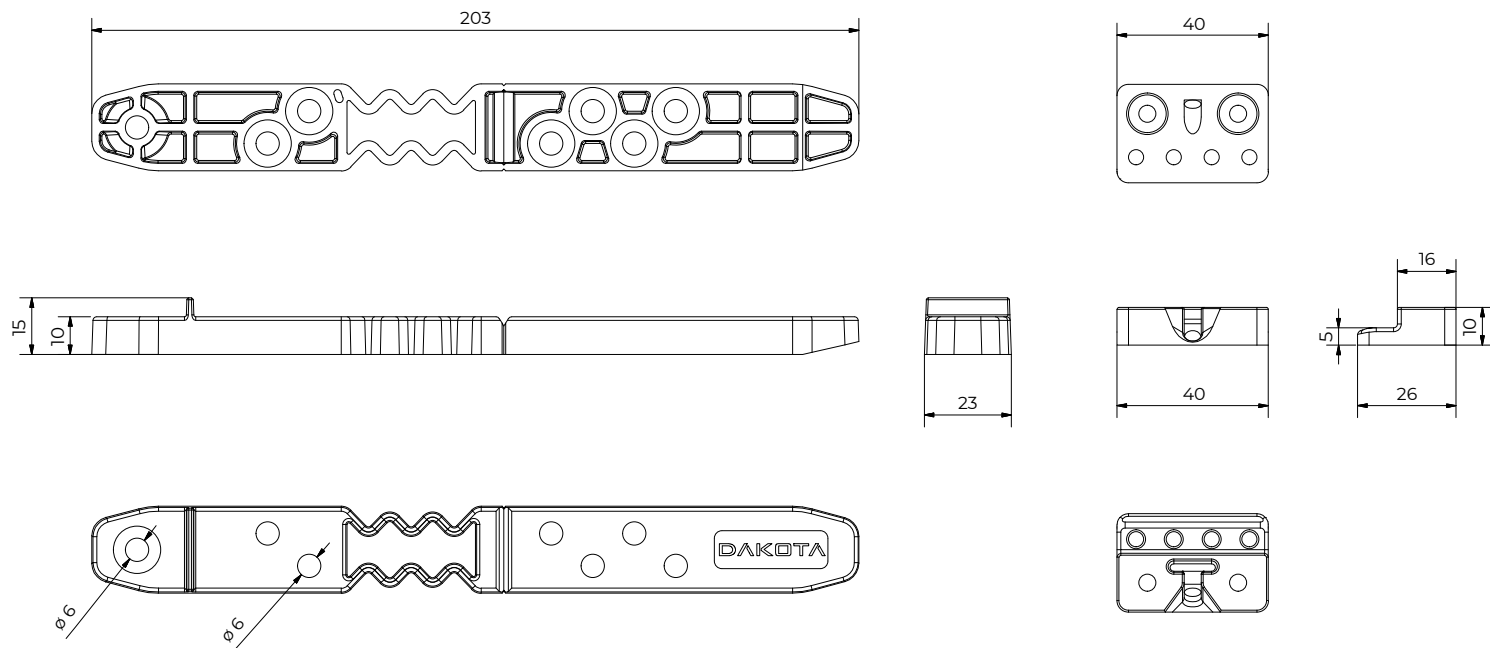
## INDEX

1. Code Registry
2. Use
3. Technical Specification

## 1. CODE REGISTRY

Code	Description	Dimension (mm)	Weight	Pkg. / Pallet
TER09-1147	Kit - 64 bars, 10 studs, 2 pcs. spacers in 5 mm and 2 sets of steel self-tapping screws (200 pcs. 6 x 25 mm and 20 pcs. 4 x 25 mm)	-	- kg/box	1 box / 80 box

**MATERIAL** The bars, studs and spacers are made of PP, the screws of steel.



# QUIX - INVISIBLE FIXING FOR DECKING

## 2. USE

The system is suitable for all types of wooden panels, thanks to the modularity of the bars, which can be broken and fixed on boards of any width. The system guarantees the laying of the decking both on any type of joist and directly on concrete and, thanks to the 5 mm spacers, there will be a precise joint for a uniform and professional final result.

## 3. TECHNICAL SPECIFICATION

Specification	Description	Unity	Price
<b>Dak.O.TER09.1147</b>	Supply and installation of Kit consisting of 64 bars, 10 studs, 2 pcs. spacers in 5 mm and 2 sets of steel self-tapping screws (200 pcs. $\varnothing$ 6 x 25 mm and 20 pcs. $\varnothing$ 4 x 25 mm), for easy and invisible xing (without any visible screws) of external decking. The kit allows the installation of around 4m <sup>2</sup> of decking. The bars, studs and spacers are made of PP, the screws of steel. The system is suitable for all types of wooden panels, thanks to the modularity of the bars, which can be broken and fixed on boards of any width. The system guarantees the laying of the decking both on any type of joist and directly on concrete and, thanks to the 5 mm spacers, there will be a precise joint for a uniform and professional final result.	box	-