

ANTI-NOISE RUBBER



INDEX

1. Code registry
2. Description
3. Use
4. Technical specification

1. CODE REGISTRY

Code	Description	Measure (mm)	Weight	Pkg. / Pallet
TER09-1147/G	Anti-noise rubber thickness 1 mm	ø 157 mm - spess. 1 mm	0,04 kg/pz.	120 pz. / 8.640 pz.

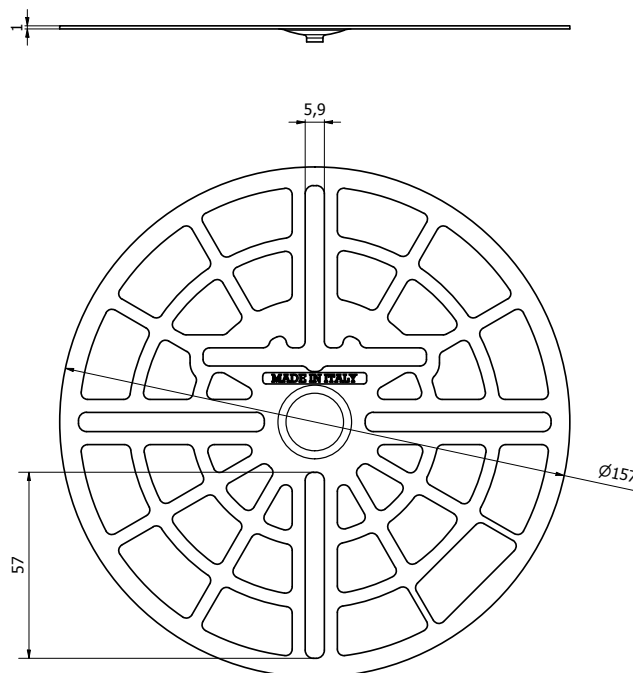
MATERIAL Made of thermoplastic rubber (TPE)

2. DESCRIPTION

Anti-noise rubber.

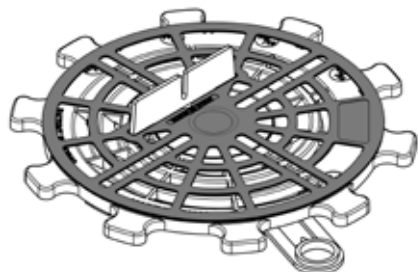
Diameter 157 mm, thickness 1 mm.

This article has to be placed on the head of Arkimede 10 decking (TER09-1147/1A), Arkimede 10 paving (TER09-1147/4A2M) and fixed support for tiles (TER09-1120)

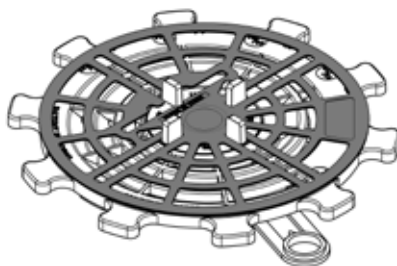


GOMMA ANTIRUMORE

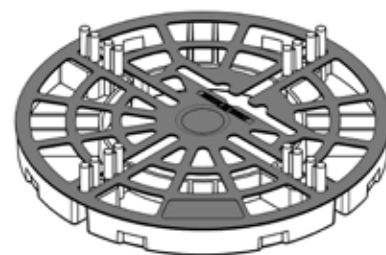
Compatible with



Arkimede 10 Decking
TER09-1147/1A



Arkimede 10 Paving
TER09-1147/4A2M e TER09-1147/4A4M



Tiles fixed support
TER09-1120

3. Use

To reduce walkover noise

4. TECHNICAL SPECIFICATION

Voce	Descrizione	Unità	Prezzo
Dak.O.TER09.1147/G	Supply and installation of anti-noise rubber accessory, diameter 157 mm, thickness 1 mm. The accessory is to be placed on the head of the Arkimede 10 Decking support (Ter09-1147 / 1a), Arkimede 10 paving (TER09-1147/4A2M and TER09-1147 / 4A4M) and fixed support for tiles (TER09-1120) Made of thermoplastic rubber (TPE). It is used to reduce the noise from flooring to paved pavement.	pz.	-